



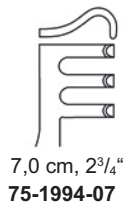
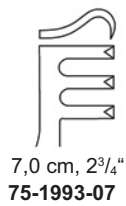
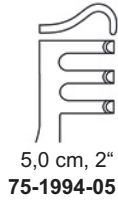
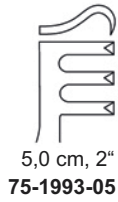
Wundspreizer

Self-Retaining Retractors

Separadores con retenida automática

Divaricatori autoctatici

Wundspreizer
Self-Retaining Retractors
Separadores con retenida automática
Divaricatori autostatici



scharf
 sharp
 agudos
 acuti

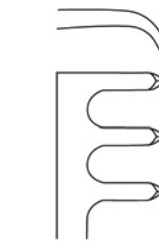
stumpf
 blunt
 romo
 smusso



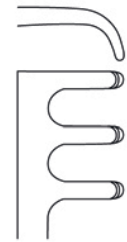
FINSEN



JANSEN
 10,0 cm, 4"



scharf
 sharp
 agudos
 acuti



stumpf
 blunt
 romo
 smusso

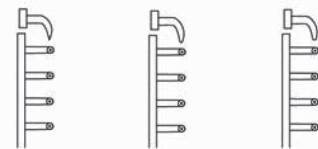


ALM

scharf
 sharp
 agudos
 acuti

halbscharf
 semi-sharp
 semi-agudos
 semi-acuti

stumpf
 blunt
 romo
 smusso



7,0 cm, 2³/₄" **75-1997-07** **75-1998-07** **75-1999-07**
 10,0 cm, 4" **75-2000-10** **75-2001-10** **75-2002-10**

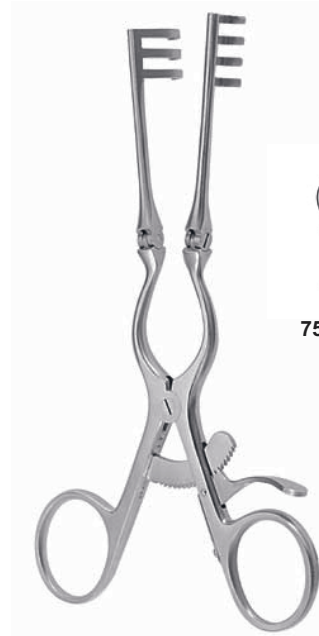
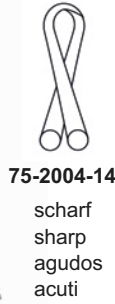


ALLPORT
 9,5 cm, 3³/₄"
75-2003-09

Wundspreizer
Self-Retaining Retractors
Separadores con retenida automática
Divaricatori autostatici



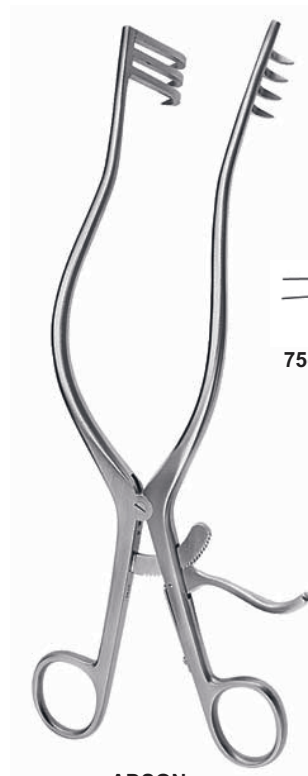
SALP-CONTOUR
14,0 cm, 5½"



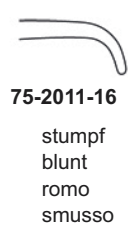
ADSON-BABY
16,0 cm, 6¼"



ANDERSON-ADSON
20,0 cm, 8"



ADSON
26,5 cm, 10½"



Wundspreizer
Self-Retaining Retractors
Separadores con retenida automática
Divaricatori autostatici



MOLLISON
 15,5 cm, 6"
 75-2012-15



scharf
 sharp
 agudos
 acuti



SCHUHKNECHT
 12,5 cm, 5"



75-2013-14
 scharf
 sharp
 agudos
 acuti



75-2014-14
 stumpf
 blunt
 romo
 smusso



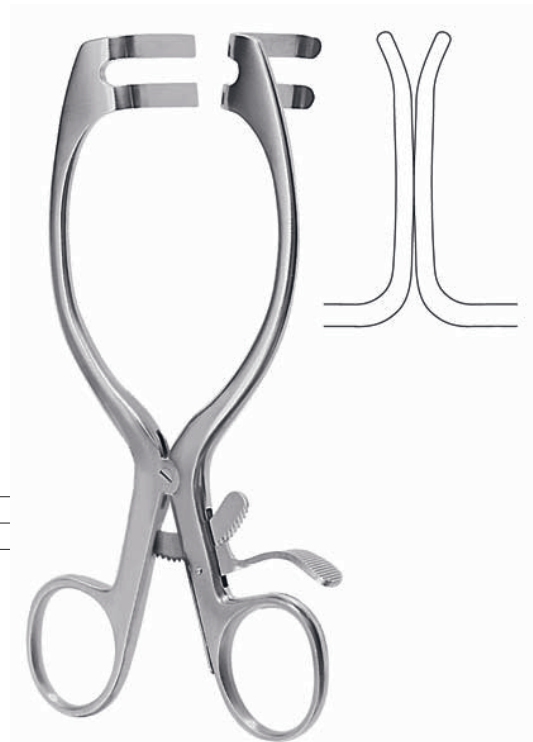
WULLSTEIN



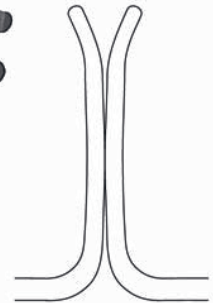
scharf
 sharp
 agudos
 acuti

stumpf
 blunt
 romo
 smusso

10,5 cm, 4 ¹ / ₈ "	75-2015-10	75-2016-10
13,0 cm, 5"	AK-2015-13	75-2016-13
15,0 cm, 6"	AK-2015-15	75-2016-15
18,0 cm, 7"	75-2015-18	75-2016-18



MAYO-ADAMS
 16,5 cm, 6¹/₂"
 75-2017-17



Wundspreizer
Self-Retaining Retractors
Separadores con retenida automática
Divaricatori autostatici



WEITLANER-LOKTITE
10,5 cm, 4¹/₈"



AK-2018-10

scharf
sharp
agudos
acuti



75-2019-10

stumpf
blunt
romo
smusso



WEITLANER
13,0 cm, 5"



AK-2020-13

scharf
sharp
agudos
acuti



75-2021-13

stumpf
blunt
romo
smusso



WEITLANER
16,5 cm, 6¹/₂"



AK -2022-16

scharf
sharp
agudos
acuti



75-2023-16

stumpf
blunt
romo
smusso



WEITLANER
20,0 cm, 8"



AK -2024-20

scharf
sharp
agudos
acuti



75-2025-20

stumpf
blunt
romo
smusso

Wundspreizer
Self-Retaining Retractors
Separadores con retenida automática
Divaricatori autostatici



WEITLANER
 24,0 cm, 9½"



AK-2026-20
 scharf
 sharp
 agudos
 acuti



75-2027-20
 stumpf
 blunt
 romo
 smusso



PLESTER
 13,0 cm, 5"



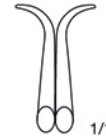
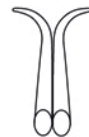
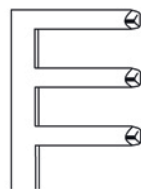
AK-2028-13
 scharf
 sharp
 agudos
 acuti



AK-2029-13
 stumpf
 blunt
 romo
 smusso



MILLIGAN
 13,0 cm, 5"
 75-2030-13



PLESTER
 11,0 cm, 4¾"
 75-2031-11



PLESTER
 11,0 cm, 4¾"
 75-2032-11

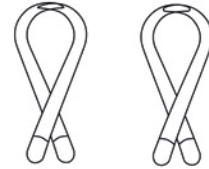


WEITLANER-BABY
13,0 cm, 5"
75-2035-13



**ADSON
(CONE)**

Wundspreizer
Self-Retaining Retractors
Separadores con retenida automática
Divaricatori autostatici



20,0 cm, 8" **75-2033-20** **75-2034-20**
26,0 cm, 10 1/4" **AK-2033-26** **75-2034-26**

scharf	stumpf
sharp	blunt
agudos	romos
acuti	smusso



GELPI
13,5 cm, 5 3/8"
75-2036-14



GELPI
19,0 cm, 7 1/2"
75-2037-19



GELPI-LOKTITE
19,0 cm, 7 1/2"
75-2038-19

Wundspreizer
Self-Retaining Retractors
Separadores con retenida automática
Divaricatori autostatici



75-2042-32

stumpf
blunt
romo
smusso

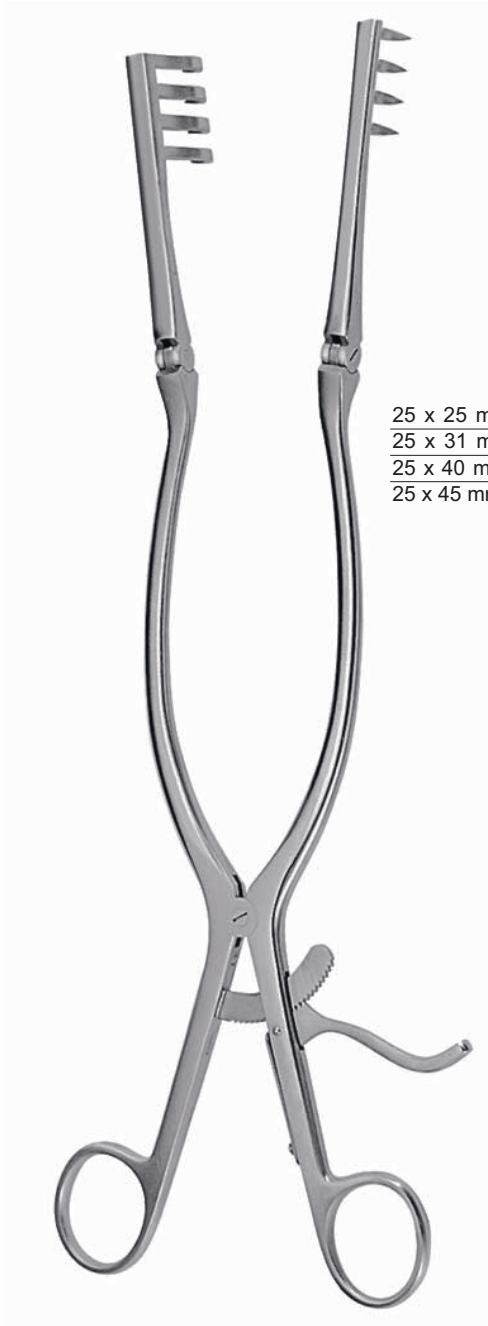
ADSON
32,0 cm, 12½"



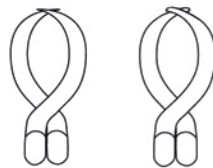
10,0 cm, 4" **75-2043-10**
14,0 cm, 5½" **75-2043-14**

DE BAKEY

Wundspreizer
 Self-Retaining Retractors
 Separadores con retenida automática
 Divaricatori autostatici

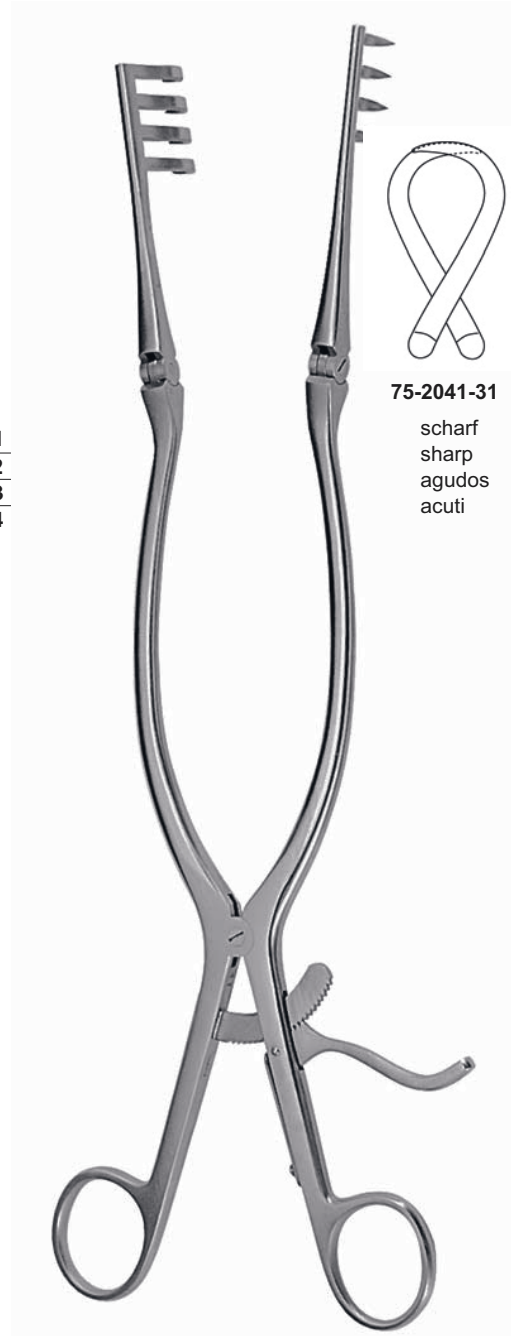


BECKMANN-ADSON
 31,0 cm, 12 1/4"



25 x 25 mm	75-2039-01	75-2040-01
25 x 31 mm	75-2039-02	75-2040-02
25 x 40 mm	75-2039-03	75-2040-03
25 x 45 mm	75-2039-04	75-2040-04

scharf	stumpf
sharp	blunt
agudos	romo
acuti	smusso

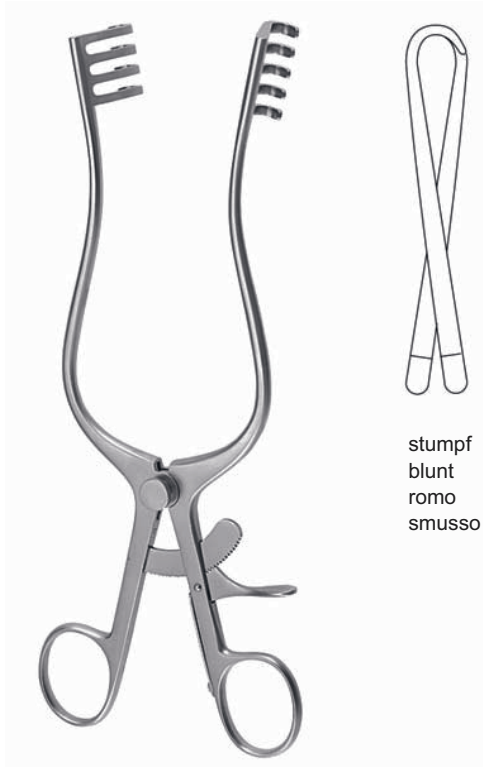


BECKMANN
 31,0 cm, 12 1/4"



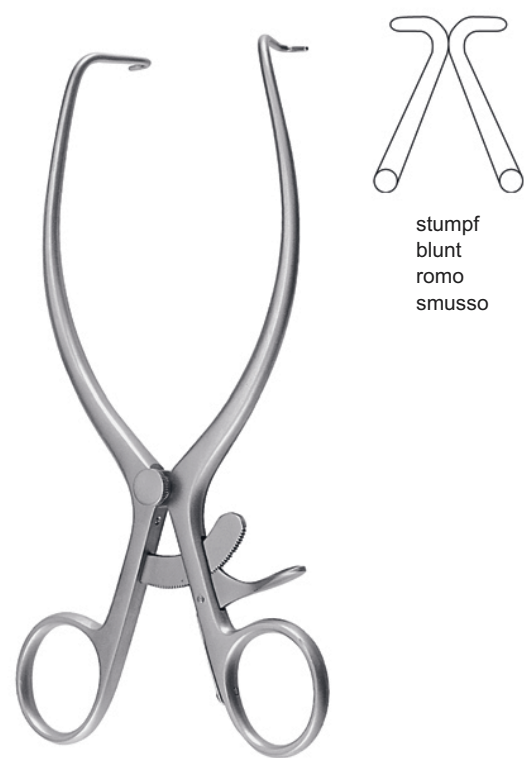
75-2041-31
 scharf
 sharp
 agudos
 acuti

Wundspreizer
Self-Retaining Retractors
Separadores con retenida automática
Divaricatori autostatici



stumpf
blunt
romo
smusso

NORFOLK AND NORWICH
22,0 cm, 8⁵/₈"
75-2044-22



stumpf
blunt
romo
smusso

JACKSON BURROWS
17,5 cm, 7"
75-2045-17

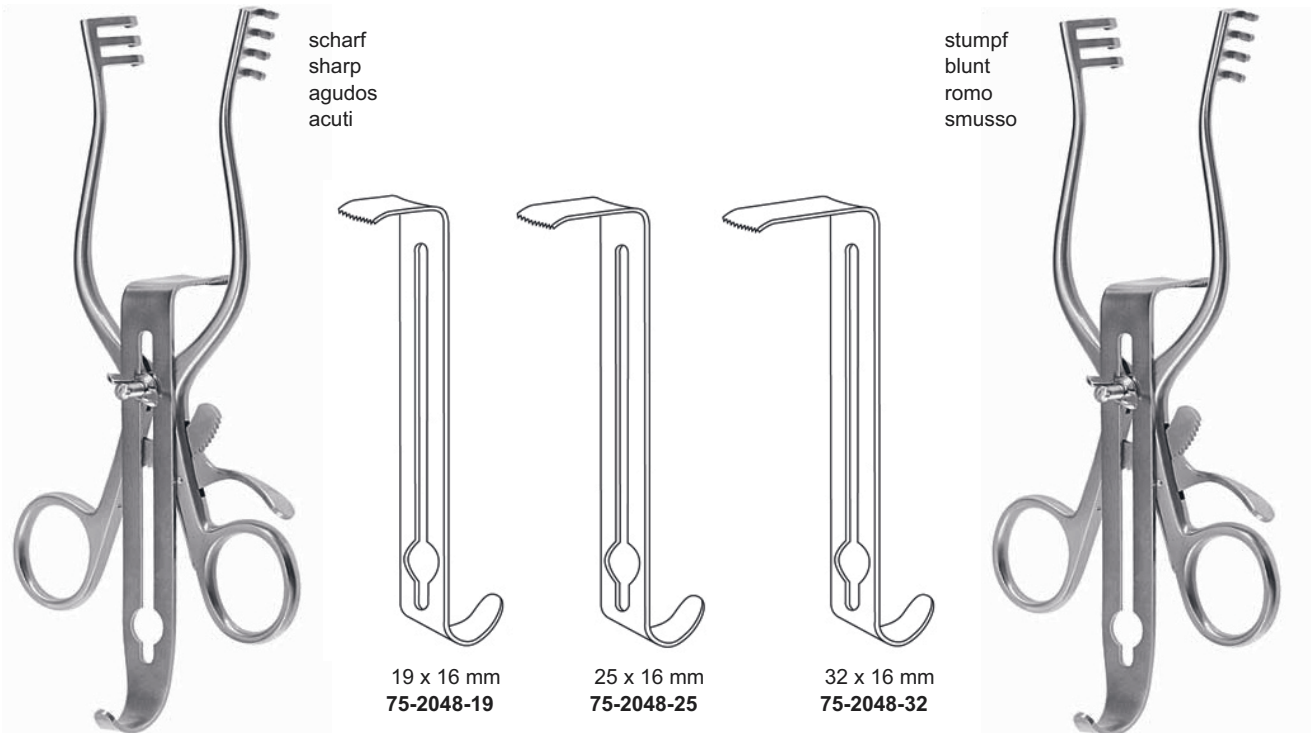


RICHTER
17,0 cm, 6³/₄"
75-2046-17



JOLL (FRIEDMAN)
15,5 cm, 6"
75-2047-15

Wundspreizer
Self-Retaining Retractors
Separadores con retenida automática
Divaricatori autostatici



scharf
sharp
agudos
acuti

stumpf
blunt
romo
smusso

HENLEY
16,0 cm, 6 1/4"
75-2048-16

HENLEY
16,0 cm, 6 1/4"
75-2049-16

HENLEY
75-2050-00

komplett, bestehend aus:

- 1 Sperrer mit Seitenvalven, scharf (75-300-16)
- 1 Mittelvalve 19 x 16 mm (75-300-19)
- 1 Mittelvalve 25 x 16 mm (75-300-25)
- 1 Mittelvalve 32 x 16 mm (75-300-32)

complete, consisting of:

- 1 Spreader with lateral valves, sharp (75-300-16)
- 1 Central valve 19 x 16 mm (75-300-19)
- 1 Central valve 25 x 16 mm (75-300-25)
- 1 Central valve 32 x 16 mm (75-300-32)

completo, compuesto of:

- 1 Separador con valvas laterales, agudas (070-300-16)
- 1 Valva central 19 x 16 mm (75-300-19)
- 1 Valva central 25 x 16 mm (75-300-25)
- 1 Valva central 32 x 16 mm (75-300-32)

completo, composto da:

- 1 Divaricatore con valve laterali, acuto (75-300-16)
- 1 Valva centrale 19 x 16 mm (75-300-19)
- 1 Valva centrale 25 x 16 mm (75-300-25)
- 1 Valva centrale 32 x 16 mm (75-300-32)

HENLEY
75-2051-00

komplett, bestehend aus:

- 1 Sperrer mit Seitenvalven, stumpf (75-301-16)
- 1 Mittelvalve 19 x 16 mm (75-300-19)
- 1 Mittelvalve 25 x 16 mm (75-300-25)
- 1 Mittelvalve 32 x 16 mm (75-300-32)

complete, consisting of:

- 1 Spreader with lateral valves, blunt (75-301-16)
- 1 Central valve 19 x 16 mm (75-300-19)
- 1 Central valve 25 x 16 mm (75-300-25)
- 1 Central valve 32 x 16 mm (75-300-32)

completo, compuesto of:

- 1 Separador con valvas laterales, romas (75-301-16)
- 1 Valva central 19 x 16 mm (75-300-19)
- 1 Valva central 25 x 16 mm (75-300-25)
- 1 Valva central 32 x 16 mm (75-300-32)

completo, composto da:

- 1 Divaricatore con valve laterali, smusso (75-301-16)
- 1 Valva centrale 19 x 16 mm (75-300-19)
- 1 Valva centrale 25 x 16 mm (75-300-25)
- 1 Valva centrale 32 x 16 mm (75-300-32)

Wundspreizer, Bauchdeckenhalter
Self-Retaining Retractors, Abdominal Retractors
Separadores con retenida automática, Separadores abdominales
Divaricatori autostatici, Divaricatori addominali



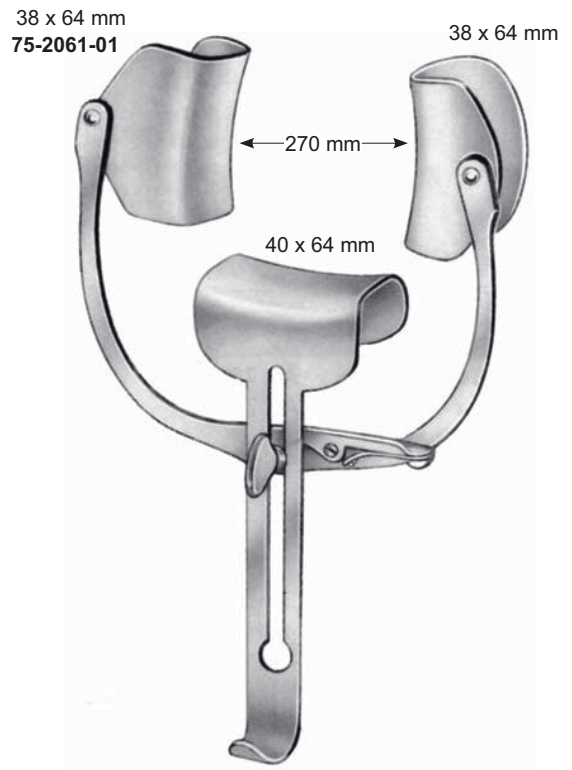
COLLIN
23,5 cm, 9¹/₄"
75-2058-24



COLLIN
23,5 cm, 9¹/₄"
75-2059-24



COLLIN
23,5 cm, 9¹/₄"
75-2060-24



ROBIN-MASSE
23,5 cm, 9¹/₄"
75-2061-27

Wundspreizer, Bauchdeckenhalter
 Self-Retaining Retractors, Abdominal Retractors
 Separadores con retenida automática, Separadores abdominales
 Divaricatori autostatici, Divaricatori addominali



MAYO-ADAMS
 17,0 cm, 6³/₄"
 75-2054-17



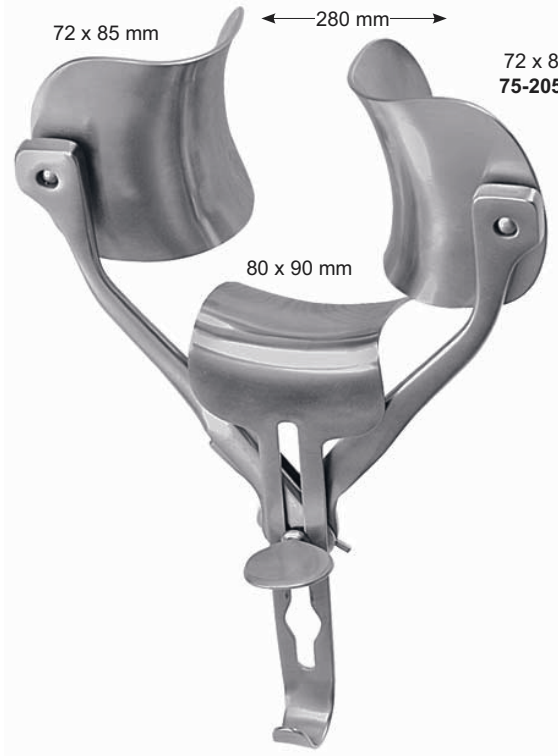
COLLIN-BABY
 18,0 cm, 7"
 75-2055-18

30 x 44 mm
 75-2052-30



23 x 44 mm
 75-2053-23

Wechselvalven
 Exchangeable blades
 Valvas intergambiables
 Valve intercambiabili



RICARD
 28,0 cm, 11"
 75-2056-28



RICARD
 30,0 cm, 12"
 75-2057-30

Bauchdeckenhalter
Abdominal Retractors
Separadores abdominales
Divaricatori addominali



GOSSET
75-2071-10



GOSSET
75-2072-14



GOSSET
75-2073-16

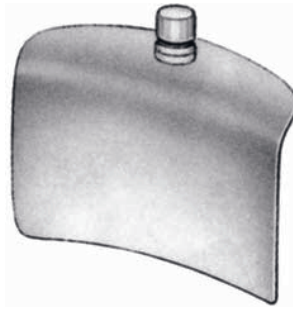


ABADIE
75-2074-12

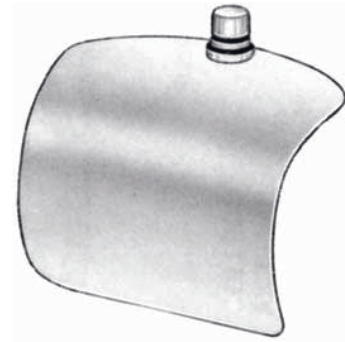
Wundspreizer, Bauchdeckenhalter
Self-Retaining Retractors, Abdominal Retractors
Separadores con retenida automática, Separadores abdominales
Divaricatori autostatici, Divaricatori addominali



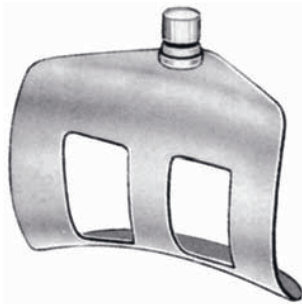
38 x 62 mm **75-2062-01**
40 x 80 mm **75-2062-02**
60 x 80 mm **75-2062-03**



50 x 58 mm **75-2063-10**
60 x 80 mm **75-2063-13**
72 x 85 mm **75-2063-14**



75-2064-23
60 x 80 mm



75-2064-33
60 x 80 mm



58 x 50 mm **75-2065-01**
80 x 60 mm **75-2065-02**
85 x 72 mm **75-2065-03**



62 x 38 mm **75-2066-10**
80 x 38 mm **75-2066-11**
100 x 38 mm **75-2066-12**
80 x 38 mm **75-2066-13**



COLLIN
55 x 55 mm **75-2068-01**
55 x 65 mm **75-2068-02**
55 x 75 mm **75-2068-03**

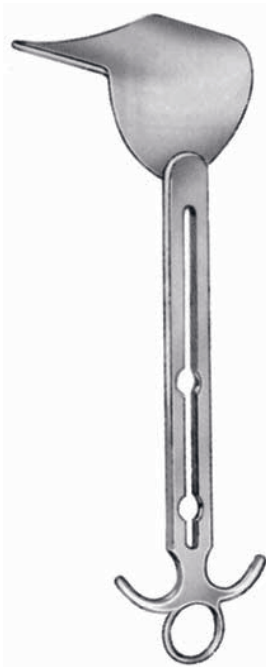


ROBIN-MASSE
40 x 64 mm **75-2069-01**
55 x 65 mm **75-2069-02**
55 x 75 mm **75-2069-03**

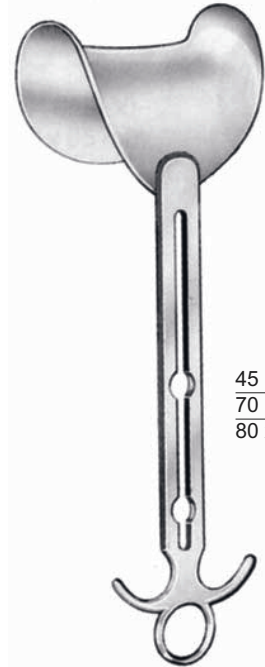


RICARD
65 x 50 mm **75-2070-01**
70 x 55 mm **75-2070-02**
90 x 80 mm **75-2070-03**

Bauchdeckenhalter
Abdominal Retractors
Separadores abdominales
Divaricatori addominali

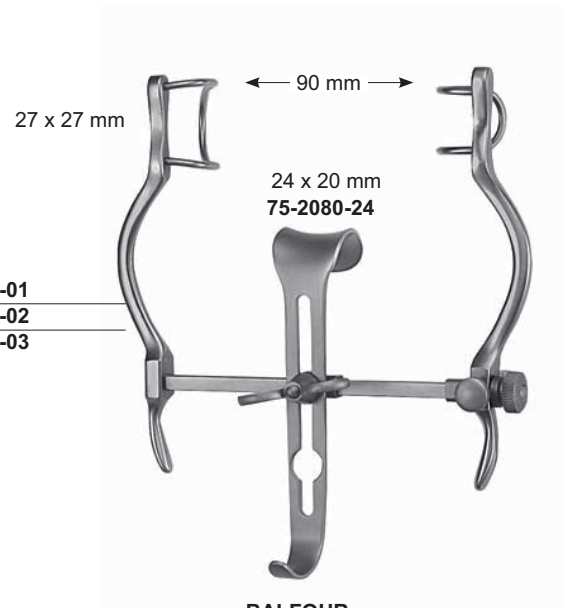


BALFOUR
100 x 70 mm
75-2079-70



BALFOUR

45 x 80 mm **75-2079-01**
70 x 85 mm **75-2079-02**
80 x 90 mm **75-2079-03**

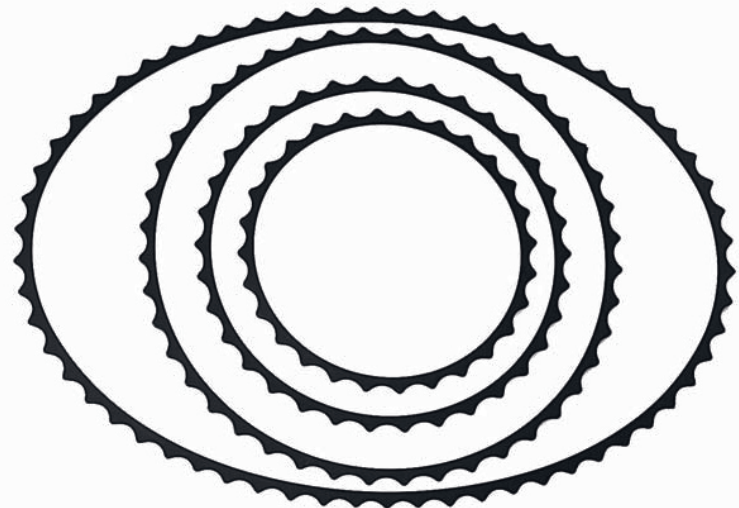


BALFOUR
75-2080-09



BERKELEY
75-2081-00

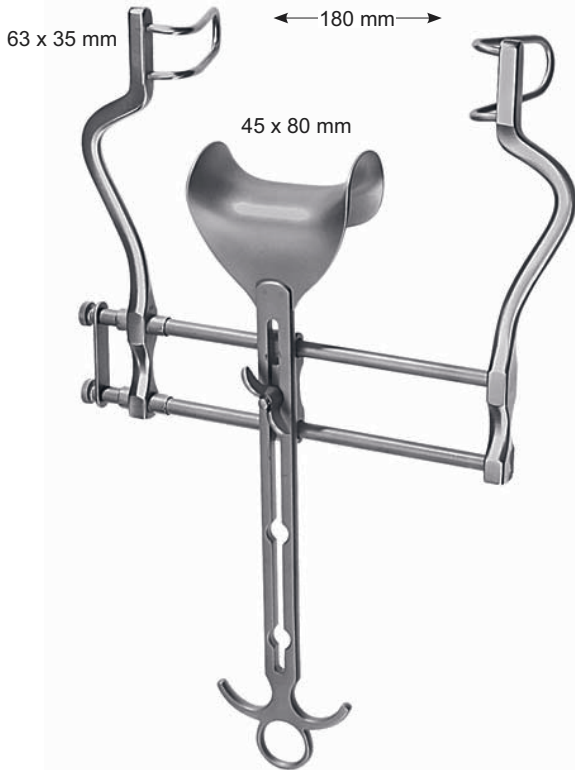
35 x 60 mm
75-2081-01



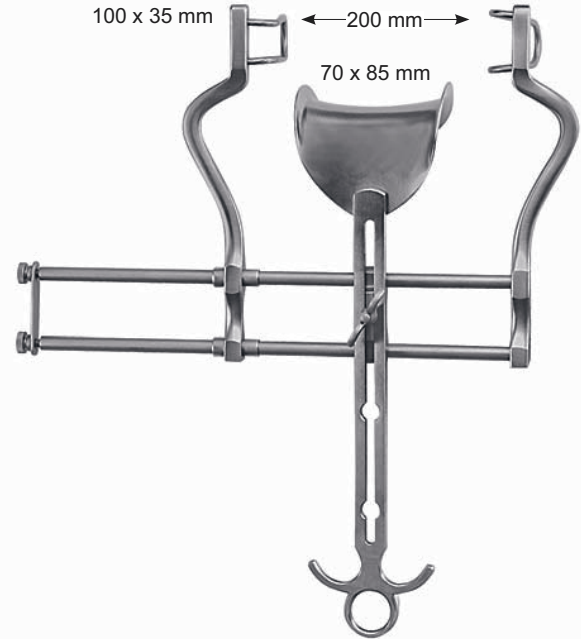
TURNER-WARNICK
modifiziert

Ø 180 mm, 7" **75-2081-18**
Ø 230 mm, 9" **75-2081-23**
Ø 305 mm, 12" **75-2081-30**
455 x 330 mm **75-2081-45**

Bauchdeckenhalter
Abdominal Retractors
Separadores abdominales
Divaricatori addominali



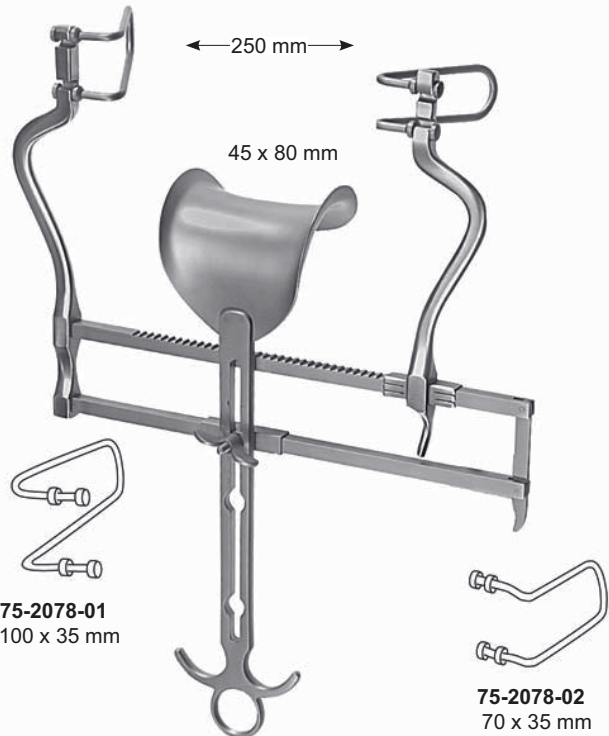
BALFOUR
75-2075-18



BALFOUR
75-2076-20



BALFOUR
75-2077-25



BALFOUR US-TYPE
75-2078-25

Bauchdeckenhalter
 Abdominal Retractors
 Separadores abdominales
 Divaricatori addominali

geschwärzt, black fi nish, negra, nera



AK-2082-01
13 mm



75-2082-02
51 x 38 mm



75-2082-03
70 x 60 mm



75-2082-04
89 x 60 mm



75-2082-05
114 x 60 mm

**TURNER-WARNICK
 modifiziert**

geschwärzt, black fi nish, negra, nera



75-2083-06
19 x 76 mm



75-2083-07
38 x 102 mm

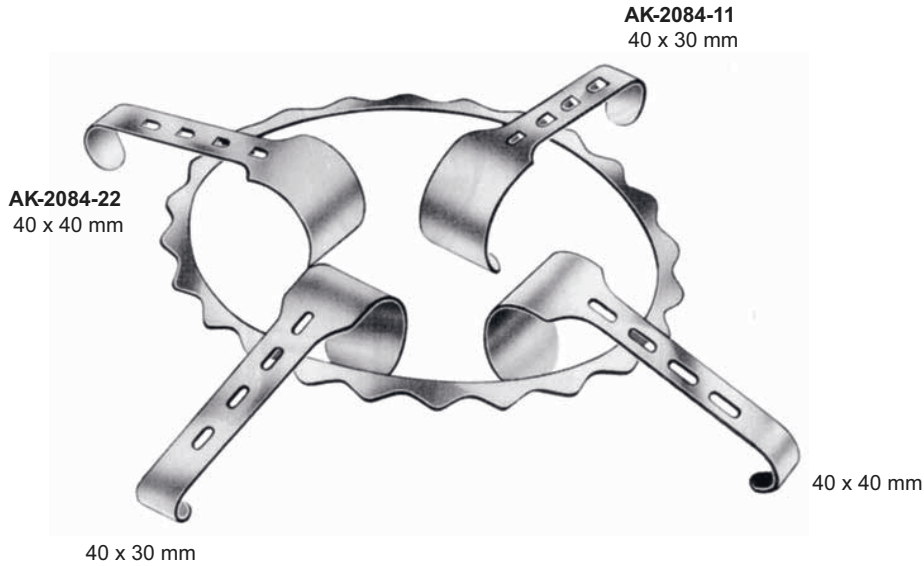


75-2083-08
57 x 89 mm



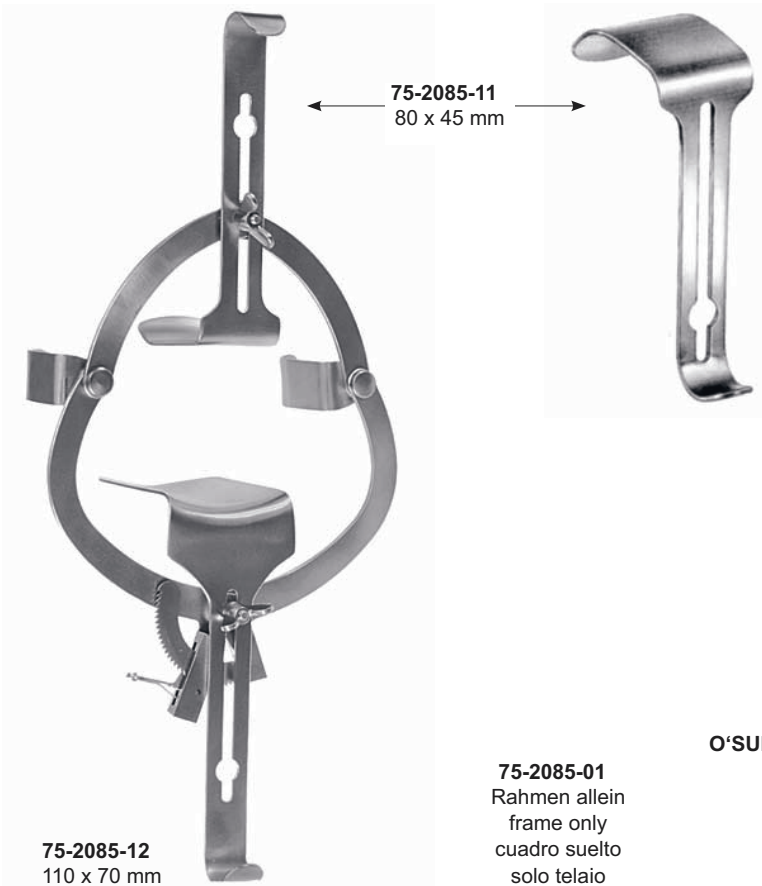
75-2083-09
57 x 114 mm

Bauchdeckenhalter
Abdominal Retractors
Separadores abdominales
Divaricatori addominali

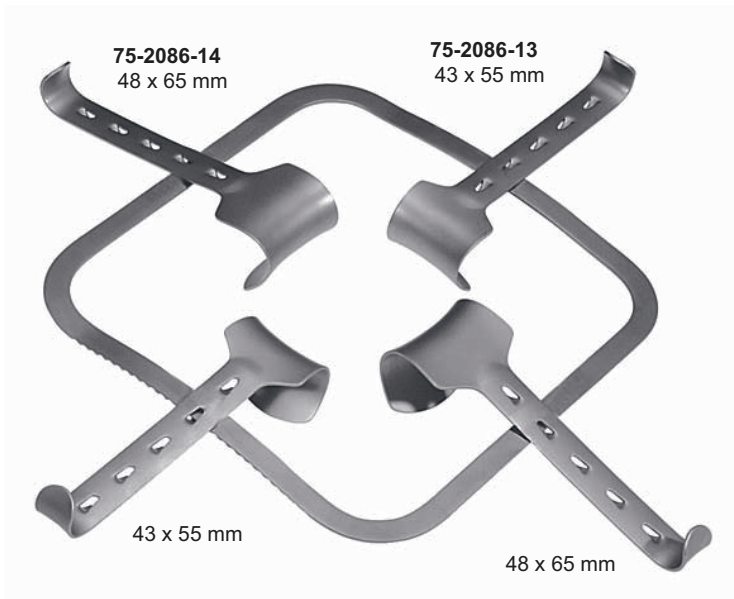


75-2084-01
255 x 180 mm
Rahmen allein
frame only
cuadro suelto
solo telaio

DENNIS BROWN
255 x 180 mm
75-2084-00
komplett complete
completo
completo



Bauchdeckenhalter
Abdominal Retractors
Separadores abdominales
Divaricatori addominali



75-2086-01 250 x 250 mm
75-2087-01 300 x 320 mm
75-2088-01 300 x 380 mm
Rahmen allein
frame only
cuadro suelto
solo telaio

KIRSCHNER
75-2089-00
komplett
complete
completo
completo
1 x 074-880-01
2 x 074-880-13
2 x 074-880-14



43 x 55 mm	75-2091-13
48 x 65 mm	75-2091-14
80 x 90 mm	75-2091-15
90 x 65 mm	75-2091-16
98 x 95 mm	75-2091-17

KIRSCHNER

Bauchdeckenhalter
Abdominal Retractors
Separadores abdominales
Divaricatori addominali



KIRSCHNER
60 x 82 mm
75-2092-11

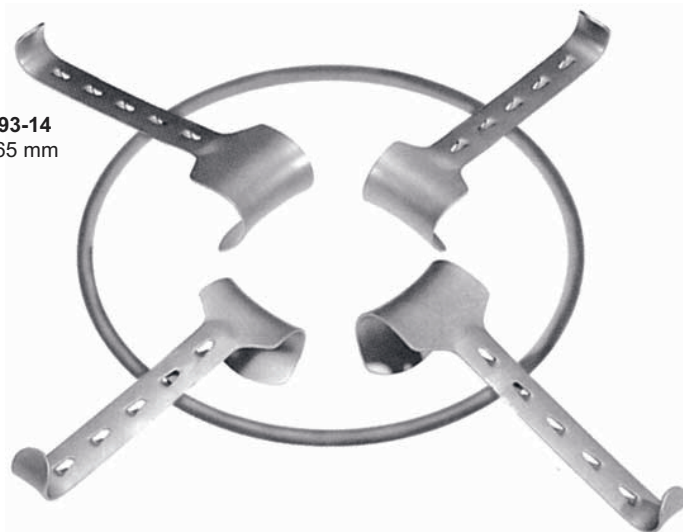


KIRSCHNER-BALFOUR
83 x 82 mm
75-2092-12



KIRSCHNER
98 x 51 mm **75-2092-20**
105 x 38 mm **75-2092-21**

75-2093-14
48 x 65 mm



KIRSCHNER, oval
75-2096-00
komplett, complete, completo, completo
1 x 074-884-01
3 x 074-880-14
1 x 074-880-15
1 x 074-880-20
1 x 074-880-21


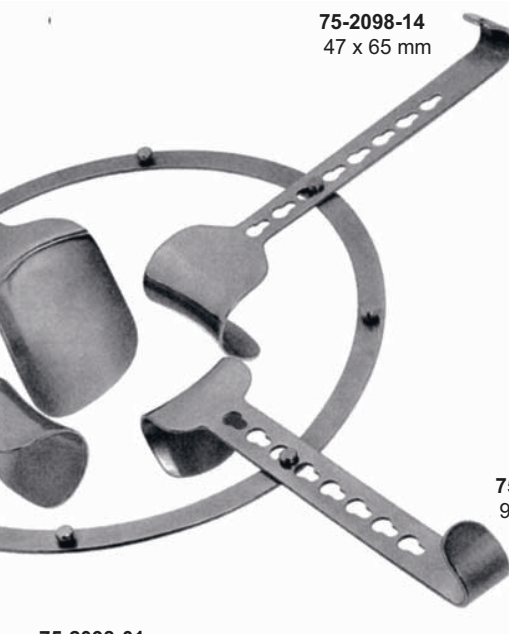

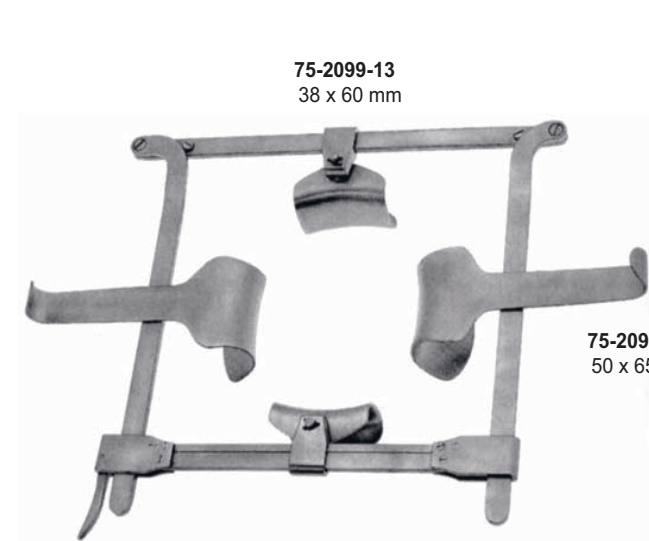

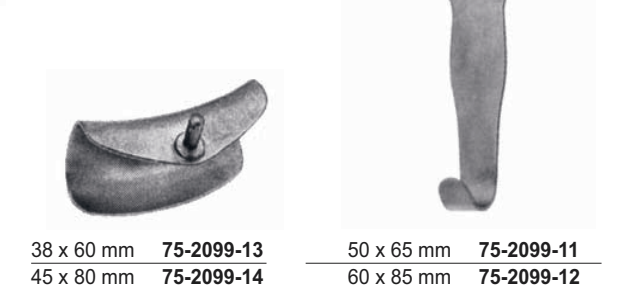
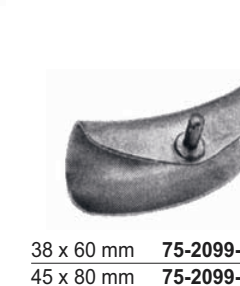
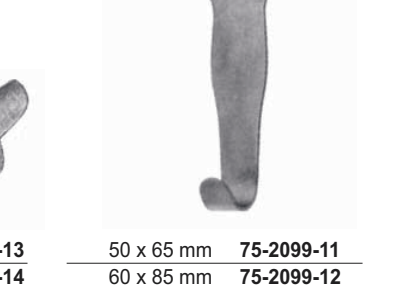
75-2094-01
300 x 240 mm
Rahmen allein
frame only
cuadro suelto
solo telaio

75-2095-15
80 x 90 mm



KIRSCHNER
98 x 51 mm **75-2097-20**
105 x 38 mm **75-2097-21**

Bauchdeckenhalter
Abdominal Retractors
Separadores abdominales
Divaricatori addominali

<p>75-2098-13 76 x 98 mm</p> 	<p>75-2098-14 47 x 65 mm</p> 	<p>75-2098-11 98 x 52 mm</p> <p>75-2098-12 105 x 35 mm</p> 
<p>47 x 65 mm</p>	<p>75-2098-01 275 x 250 mm Rahmen allein frame only cuadro suelto solo telaio</p>	<p>75-2098-15 50 x 54 mm</p>
<p>75-2099-13 38 x 60 mm</p> 	<p>75-2099-01 300 x 300 mm zusammenlegbarer Rahmen, allein folding frame, only cuadro plegable, suelto telaio pieghevole, solo</p> 	<p>75-2099-11 50 x 65 mm</p> 
<p>FRANZ 75-2099-00 komplett complete completo completo 1 x 031-1900-01 2 x 031-1900-11 2 x 031-1900-13</p>	<p>75-2099-13 38 x 60 mm</p> <p>75-2099-14 45 x 80 mm</p> 	<p>75-2099-11 50 x 65 mm</p> <p>75-2099-12 60 x 85 mm</p> 

Bauchdeckenhalter
Abdominal Retractors
Separadores abdominales
Divaricatori addominali

für / for / para / per
031-2100-11
031-2100-14



95 x 60 mm **75-2100-11**
105 x 65 mm **75-2100-12**
115 x 65 mm **75-2100-13**
125 x 65 mm **75-2100-14**

DOYEN
28,0 cm, 11"



Kette mit Gewicht
Chain with weight
Catena con pesa
Catena con peso

75-2102-30
78,5 cm, 31"



53,0 cm, 21"

66,0 cm, 26"

Befestigungsgestell
Mounting frame
Bastidor para la fijación
Telaio di supporto per il fissaggio

ROCHARD
75-2103-01



53,0 cm, 21"

66,0 cm, 26"

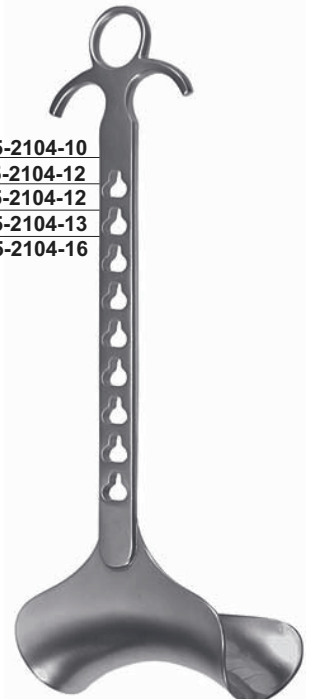
Befestigungsgestell
Mounting frame
Bastidor para la fijación
Telaio di supporto per il fissaggio

ROCHARD
75-2104-02



ROCHARD
28,0 cm, 11"
75-2104-20

95 x 48 mm **75-2104-10**
105 x 48 mm **75-2104-12**
115 x 48 mm **75-2104-12**
125 x 48 mm **75-2104-13**
155 x 48 mm **75-2104-16**



ROCHARD
28,0 cm, 11"

Bauchspatel
Abdominal Spatulas
Espátulas abdominales
Spatole addominali



biegsam
malleable
maleable
malleabile

200 x 6 mm	75-2105-06
200 x 12 mm	75-2105-12
200 x 17 mm	75-2105-17
200 x 20 mm	75-2105-20
200 x 25 mm	75-2105-25



biegsam
malleable
maleable
malleabile

330 x 13 mm	75-2106-13
330 x 25 mm	75-2106-25
330 x 32 mm	75-2106-32
330 x 40 mm	75-2106-40
330 x 50 mm	75-2106-50

RIBBON



biegsam
malleable
maleable
malleabile

280 x 25/30 mm	75-2107-01
300 x 37/45 mm	75-2107-02
300 x 40/50 mm	75-2107-03

RIBBON

RIBBON



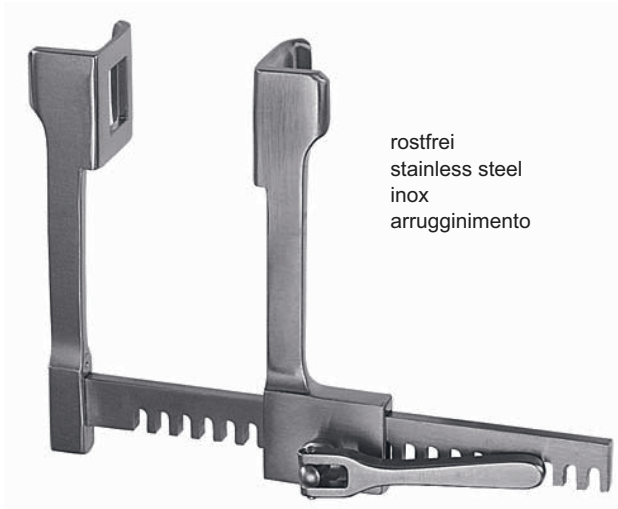
biegsam
malleable
maleable
malleabile

TUFFIER
200 x 25/17 mm
75-2108-20



REVERDIN
280 x 45/60 mm
75-2109-28

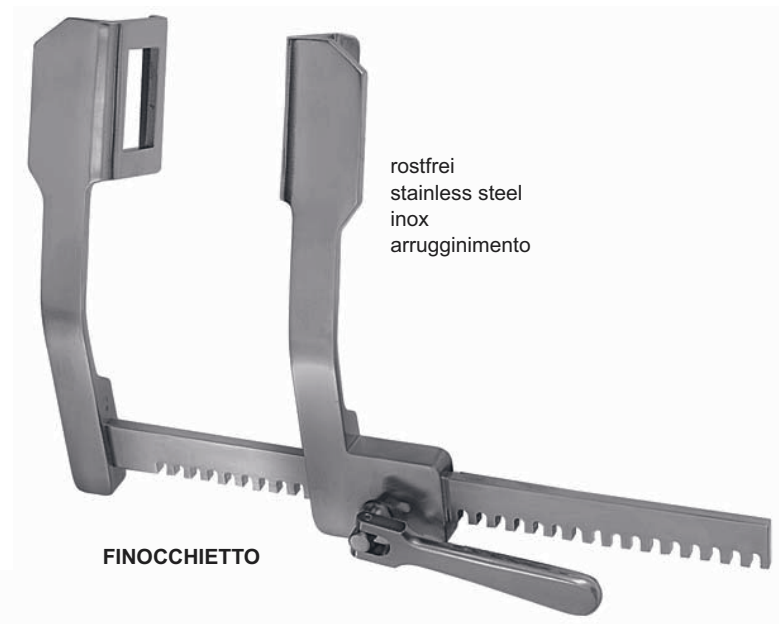
Rippensperrer
Rib Spreaders
Separadores costales
Divaricatori costali



rostfrei
stainless steel
inox
arrugginimento

FINOCCHIETTO-BABY

a	b	c	
18 mm	20 mm	75 mm	75-2110-01



rostfrei
stainless steel
inox
arrugginimento

FINOCCHIETTO

a	b	c	
40 mm	40 mm	165 mm	75-2110-02
45 mm	65 mm	200 mm	75-2110-03
70 mm	65 mm	250 mm	75-2110-04



rostfrei
stainless steel
inox
arrugginimento

TUFFIER

a	b	c	
50 mm	45 mm	165 mm	75-2111-01