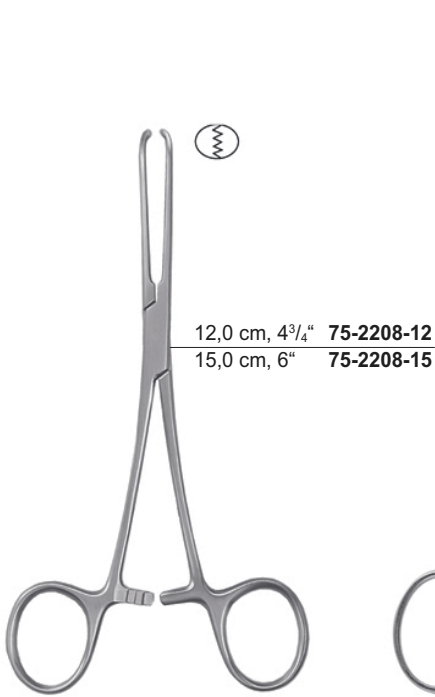




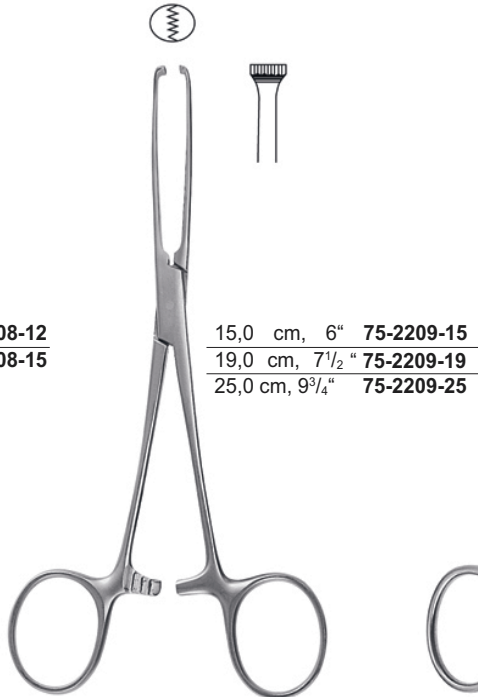
Magen, Darm, Mastdarm
Stomach, Intestines, Restum
Estómago, Intestino, Resto
Stomaco, Intestino, Retto

Darm- und Gewebefazangen
Intestinal and Tissue Grasping Forceps
Pinzas intestinales y para tejidos
Pinze da presa per intestino e tessuti



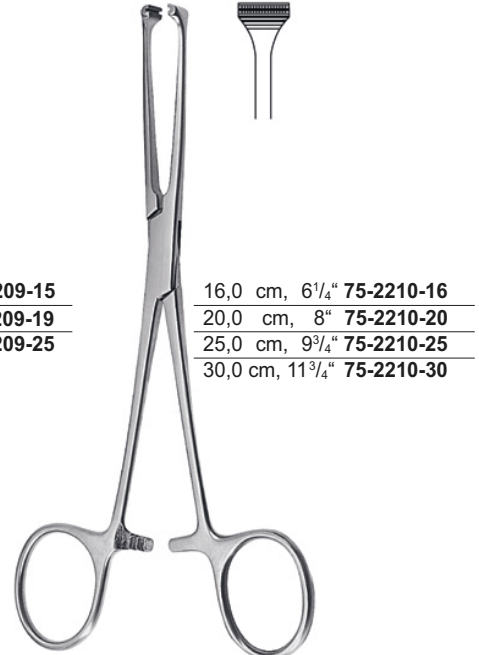
12,0 cm, 4³/₄" **75-2208-12**
 15,0 cm, 6" **75-2208-15**

ALLIS-BABY



15,0 cm, 6" **75-2209-15**
 19,0 cm, 7¹/₂" **75-2209-19**
 25,0 cm, 9³/₄" **75-2209-25**

ALLIS



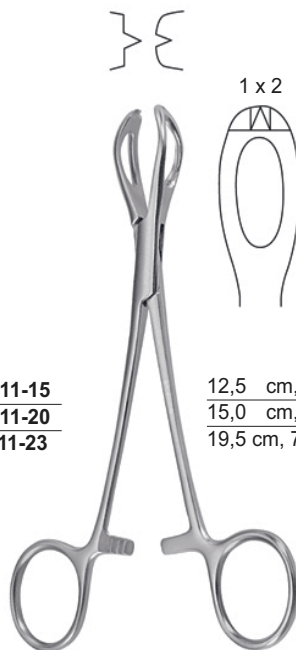
16,0 cm, 6¹/₄" **75-2210-16**
 20,0 cm, 8" **75-2210-20**
 25,0 cm, 9³/₄" **75-2210-25**
 30,0 cm, 11³/₄" **75-2210-30**

ALLIS-ATRAUMA



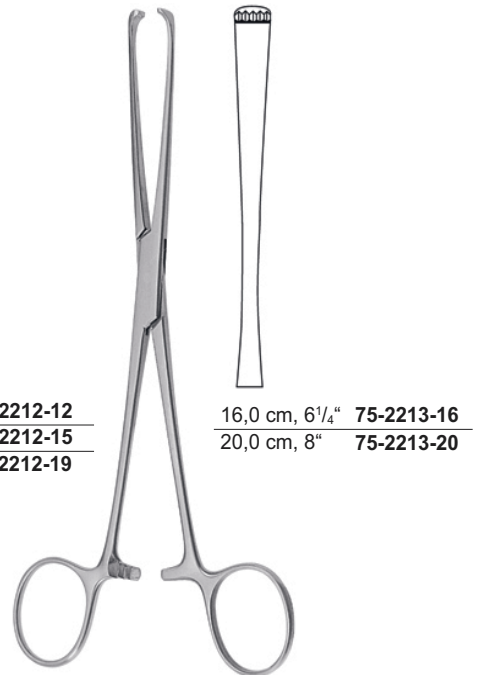
15,5 cm, 6" **75-2211-15**
 20,0 cm, 8" **75-2211-20**
 23,0 cm, 9" **75-2211-23**

ALLEN



12,5 cm, 5" **75-2212-12**
 15,0 cm, 6" **75-2212-15**
 19,5 cm, 7³/₄" **75-2212-19**

LANE



16,0 cm, 6¹/₄" **75-2213-16**
 20,0 cm, 8" **75-2213-20**

LOCKWOOD-ALLIS

Darm- und Gewebefäßzangen
Intestinal and Tissue Grasping Forceps
Pinzas intestinales y para tejidos
Pinze da presa per intestino e tessuti



15,0 cm, 6" **75-2214-15**
19,0 cm, 7½" **75-2214-19**

JUDD-ALLIS



LITTLEWOOD
18,5 cm, 7¼"
75-2215-16



ALLIS-ADAIR
15,5 cm, 6"
75-2216-15



BOYS-ALLIS
15,5 cm, 6"
75-2217-15



THOMS-ALLIS
20,0 cm, 8"
75-2218-20

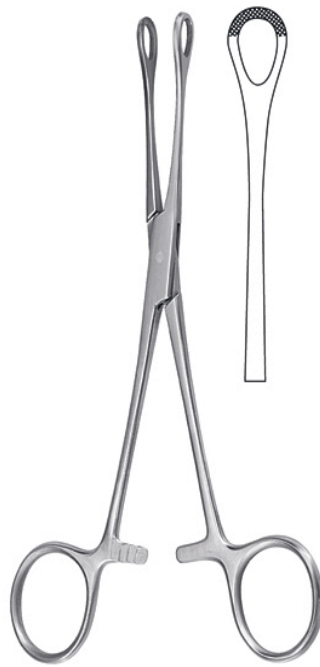


ALLIS
20,0 cm, 8"
75-2219-20

Darm- und Gewebefaszangen
Intestinal and Tissue Grasping Forceps
Pinzas intestinales y para tejidos
Pinze da presa per intestino e tessuti



LOCKWOOD
 20,0 cm, 8"
 75-2220-20



WILLIAMS
 16,0 cm, 6 1/4"
 75-2221-16



16,0 cm, 6 1/4" **75-2222-16**
 18,0 cm, 7" **75-2222-18**
 20,0 cm, 8" **75-2222-20**
 24,0 cm, 9 1/2" **75-2222-24**



16,0 cm, 6 1/4" **75-2223-16**
 20,0 cm, 8" **75-2223-20**

BABCOCK-ATRAUMA



16,0 cm, 6 1/4" **75-2224-16**
 20,0 cm, 8" **75-2224-20**

BABCOCK-TC



DUVAL-TC
 20,0 cm, 8"
 75-2225-20

Darmklemmen
Intestinal Clamp Forceps
Pinzas-clamps intestinales
Pinze intestinali



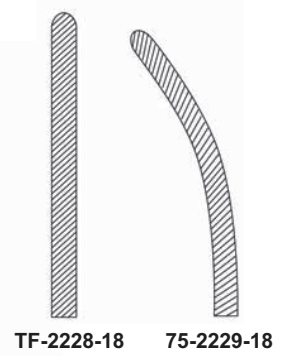
DUVAL

18,0 cm, 7"	75-2226-18
20,0 cm, 8"	75-2226-20 75-2227-20
23,0 cm, 9"	75-2227-23

Darm- und Gewebefaßzangen
Intestinal and Tissue Grasping Forceps
Pinzas intestinales y para tejidos
Pinze da presa per intestino e tessuti

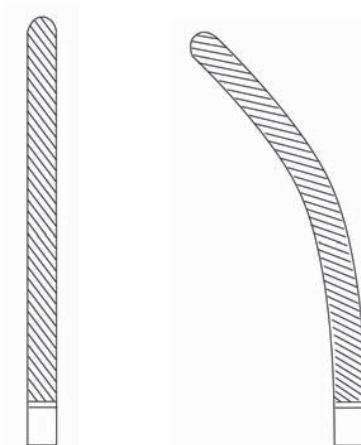


BABY-DOYEN
18,0 cm, 7"



DOYEN

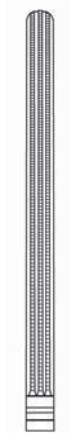
21,0 cm, 8 ¹ / ₄ "	75-2230-21	21,0 cm, 8 ¹ / ₄ "	75-2231-21
23,0 cm, 9"	75-2230-23	23,0 cm, 9"	75-2231-23



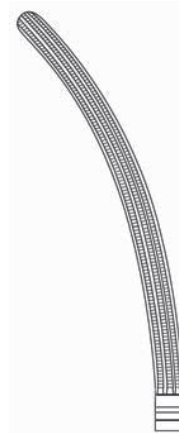
Darmklemmen
Intestinal Clamp Forceps
Pinzas-clamps intestinales
Pinze intestinali



DOYEN



21,0 cm, 8¹/₄" **75-2232-21**
23,0 cm, 9" **75-2232-23**



21,0 cm, 8¹/₄" **75-2233-21**
23,0 cm, 9" **75-2233-23**

mit atraumatischer Zahnung
with atraumatic serration
con bacos atraumáticas
con morsi atraumatici



KOCHER



22,0 cm, 8⁵/₈" **75-2234-22**
25,0 cm, 9³/₄" **75-2234-25**
28,0 cm, 11" **75-2234-28**



22,0 cm, 8⁵/₈" **75-2235-22**
25,0 cm, 9³/₄" **75-2235-25**
28,0 cm, 11" **75-2235-28**

Darmklemmen
Intestinal Clamp Forceps
Pinzas-clamps intestinales
Pinze intestinali



mit atraumatischer Zahnung
with atraumatic serration
con bacos atraumáticas
con morsi atraumatici

KOCHER

22,0 cm, 8⁵/₈" 75-1236-22
25,0 cm, 9³/₄" 75-1236-25
28,0 cm, 11" 75-1236-28



22,0 cm, 8⁵/₈" 75-1237-22
25,0 cm, 9³/₄" 75-1237-25
28,0 cm, 11" 75-1237-28



MAYO-ROBSON

21,0 cm, 8¹/₄" 75-2238-21
23,0 cm, 9" 75-2238-23
25,0 cm, 9³/₄" 75-2238-25



21,0 cm, 8¹/₄" 75-2239-21
23,0 cm, 9" 75-2239-23
25,0 cm, 9³/₄" 75-2239-25

Darmklemmen
Intestinal Clamp Forceps
Pinzas-clamps intestinales
Pinze intestinali



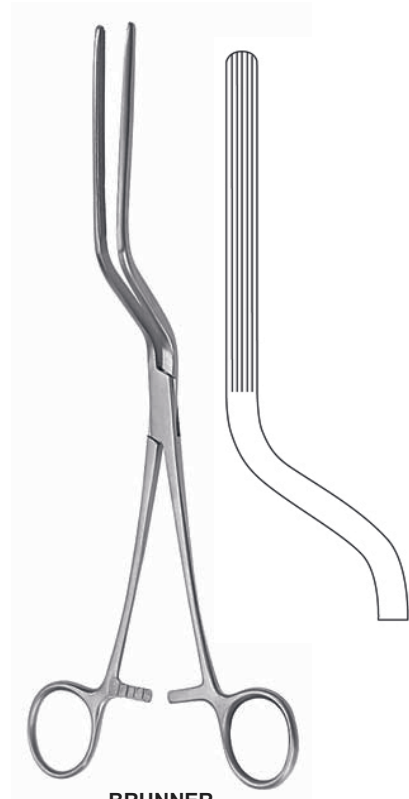
MAYO-ROBSON

21,0 cm, 8¹/₄" **75-2240-21**
23,0 cm, 9" **75-2240-23**
25,0 cm, 9³/₄" **75-2240-25**

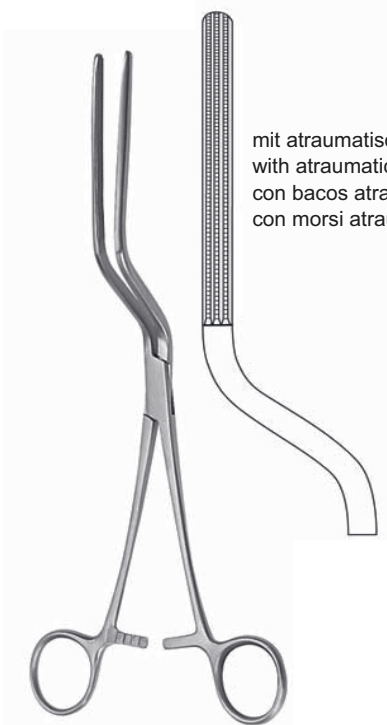
mit atraumatischer Zahnung
with atraumatic serration
con bacos atraumáticas
con morsi atraumatici



21,0 cm, 8¹/₄" **75-2241-21**
23,0 cm, 9" **75-2241-23**
25,0 cm, 9³/₄" **75-2241-25**

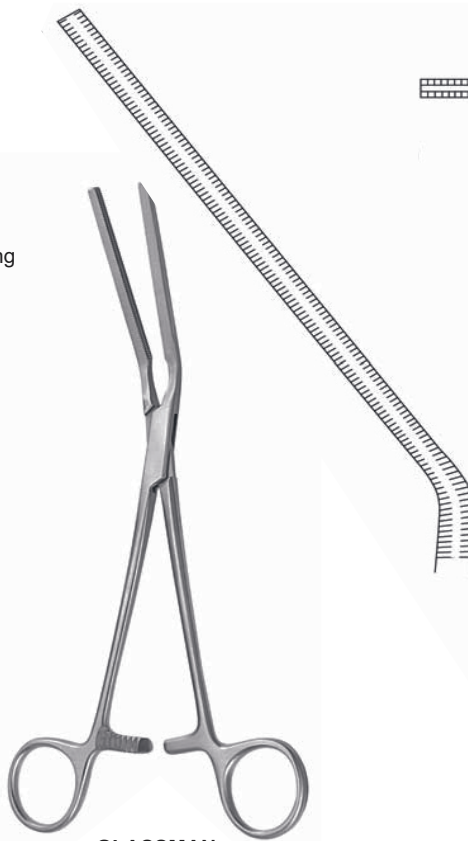


BRUNNER
24,0 cm, 9¹/₂"
75-2242-24

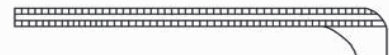


24,0 cm, 9¹/₂"
75-2243-24

mit atraumatischer Zahnung
with atraumatic serration
con bacos atraumáticas
con morsi atraumatici



GLASSMAN
23,0 cm, 9"
75-2244-23



GLASSMAN
23,5 cm, 9¹/₄"
75-2245-23

Darm- und Magenquetschklemmen
Intestinal and Stomach Clamps
Pinzas-clamps intestinales y estomacales
Pinze/Clamp per intestino e stomaco



Maullänge
length of jaws
longitud de la boca
bocche lungh.

5,0 cm, 2"	75-2246-05
7,0 cm, 2 1/2"	75-2246-07
10,0 cm, 4"	75-2246-10

DE MARTEL-WOLFSON



DE MARTEL-WOLFSON

8,5 cm, 3 1/2"
75-2247-08



DE MARTEL-WOLFSON

26,0 cm, 10 1/4"
75-2248-26



BABY-PAYR
15,0 cm, 6"



75-2249-15
mit Stift
with pin
con espiga
con perno



75-2250-15
ohne Stift
without pin
sin espiga
senza perno



PAYR



21,0 cm, 8 1/4" **75-2252-21**
29,0 cm, 11 1/2" **75-2252-29**

mit Stift
with pin
con espiga
con perno



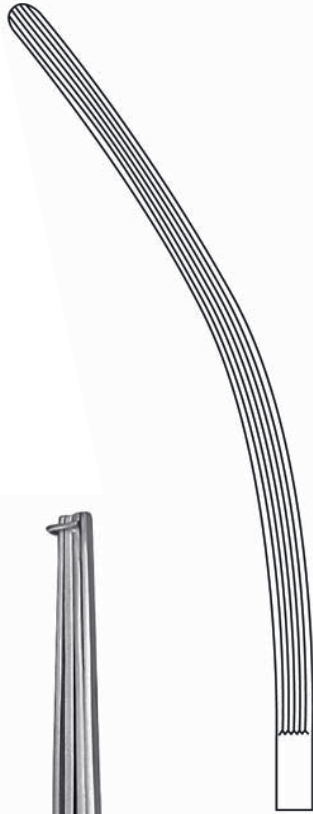
75-2253-21
75-2253-29

ohne Stift
without pin
sin espiga
senza perno

Darm- und Magenklappen
 Intestinal and Stomach Clamp Forceps
 Pinzas-clamps intestinales y estomacales
 Pinze per intestino e stomaco



75-2254-30



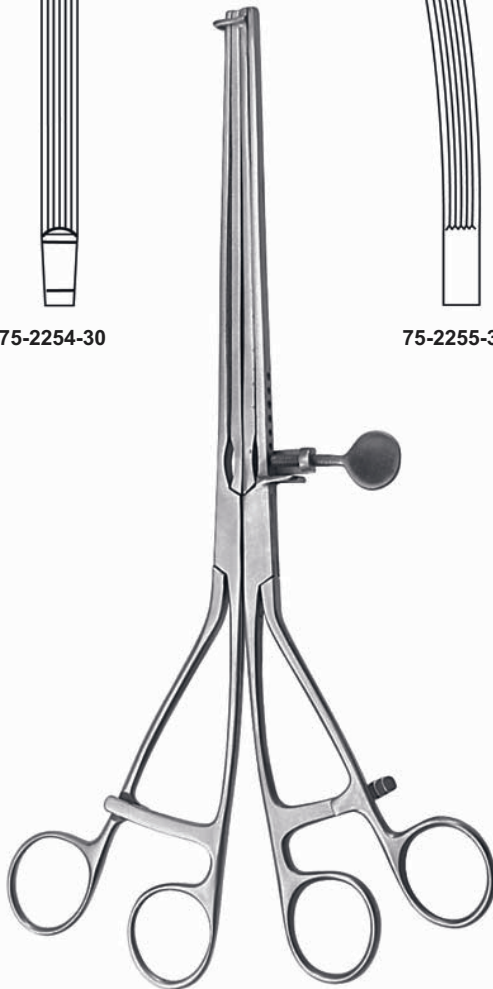
75-2255-30



75-2256-33



75-2257-33



LANE
 30,0 cm, 11³/₄"

mit atraumatischer Zahnung
 with atraumatic serration
 con bacos atraumáticas
 con morsi atraumatici

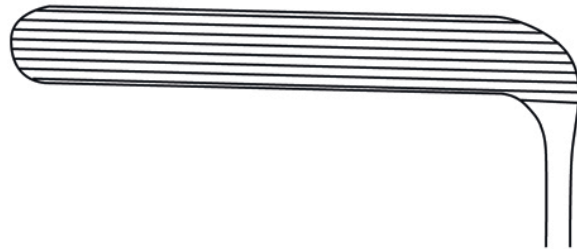


SCUDDER
 33,0 cm, 13"

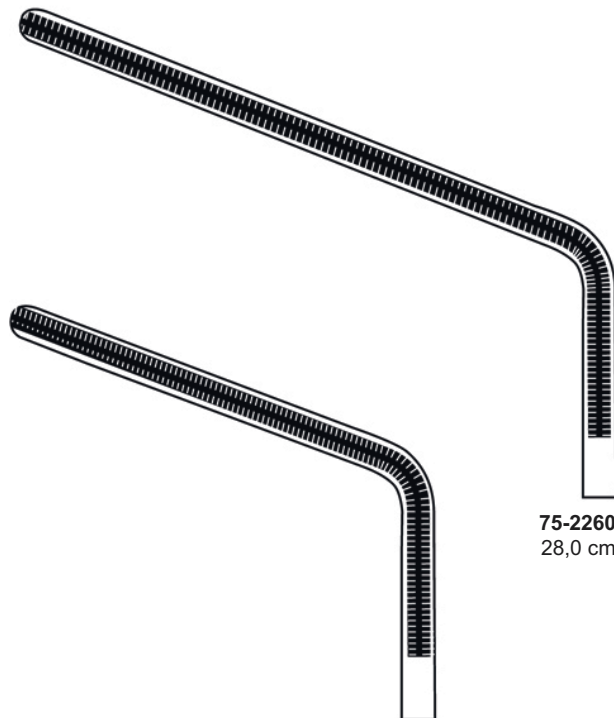
Rektum-Anastomosenklemmen
Sigmoid Anastomosis Forceps
Pinzas para anastomosis de recto
Pinze per anastomosi de retto



19,0 cm, 7 1/2"
75-2258-19



HAYES



75-2260-28
28,0 cm, 11"

75-2259-26
26,0 cm, 10"

Mastdarm-Rektum-Spekula
Rectal Specula
Espéculos para el recto
Speculi rettali

17 x 89 mm



SIMS
15,0 cm, 6"
75-2261-15

17 x 89 mm



SIMS
15,0 cm, 6"
75-2262-15

25 x 89 mm



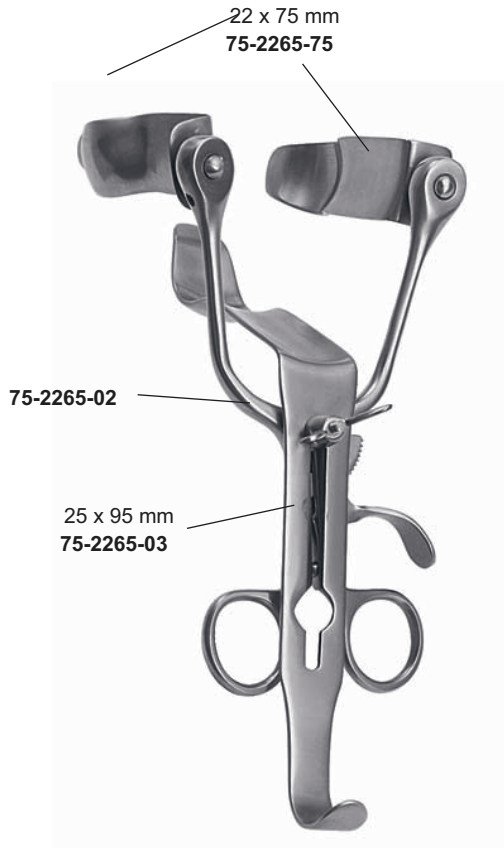
MATHIEU
21,0 cm, 8¹/₄"
75-2263-21

75 x 23 mm



SMITH-BUIE
15,0 cm, 6"
75-2264-15

Analnspreizer, Sphinkterskope, Anuskope
Rectal Retractor, Sphincteroscopes, Anoscope
Separadores para el recto, Esfinteroscopios, Anoscopios
Dilatatori per l'ano ed il retti, Sfinteroscopi, Anoscopi

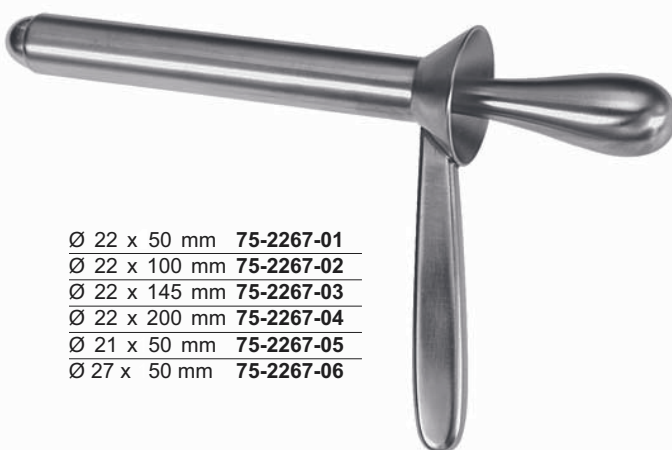


ALAN PARKS
13,5 cm, 5³/₈"
75-1147-00



Kaltlichtkammer für Proktoskope
Cold-light clip for proctoscopes
Clip para luz fría con proctoscopios
Clip per luce fredda con protoscopi

75-2266-00



Ø 22 x 50 mm 75-2267-01
Ø 22 x 100 mm 75-2267-02
Ø 22 x 145 mm 75-2267-03
Ø 22 x 200 mm 75-2267-04
Ø 21 x 50 mm 75-2267-05
Ø 27 x 50 mm 75-2267-06

HAYES



Ø 16 x 65 mm 75-2268-01
Ø 19 x 65 mm 75-2268-02
Ø 22 x 65 mm 75-2268-03
Ø 22 x 130 mm 75-2268-04

HIRSCHMANN

Anuskope, Proktoskope
Anoscope, Proctoscopes
Anoscopios, Proctoscopios
Anoscopi, Proctoscopi



Ø 22 x 65 mm **75-2269-22**
Ø 30 x 65 mm **75-2269-30**

CHELSEA EATON



ohne Kaltlichtträger
without cold light carrier
sin portador para luz fría
senza luce fredda

IVES FANSLER
Ø 22 mm
75-2270-01

mit Kaltlichtträger
with cold light carrier
con portador para luz fría
con luce fredda

IVES FANSLER
Ø 22 mm
75-2271-02



Ø 17 x 65 mm **75-2272-01**
Ø 17 x 80 mm **75-2272-02**
Ø 20 x 65 mm **75-2272-03**
Ø 20 x 80 mm **75-2272-04**
Ø 24 x 65 mm **75-2272-05**
Ø 24 x 80 mm **75-2272-06**

MORGAN

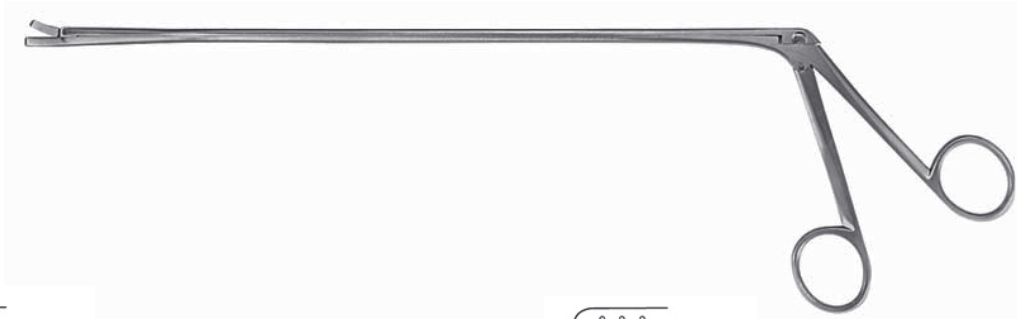


055-1000-02

FANSLER

Ø 25 x 65 mm **75-2273-25**
Ø 29 x 65 mm **75-2273-29**
Ø 38 x 70 mm **75-2273-38**

Mastdarm-Biopsiezangen
Rectal Biopsy Forceps
Pinzas sacabocado para biopsia rectal
Pinze taglienti per biopsia rettale



28,0 cm, 11" **75-2274-28**
35,0 cm, 13³/₄" **75-2274-35**
42,0 cm, 16¹/₂" **75-2274-42**



28,0 cm, 11" **75-2275-28**
35,0 cm, 13³/₄" **75-2275-35**
42,0 cm, 16¹/₂" **75-2275-42**



28,0 cm, 11" **75-2276-28**
35,0 cm, 13³/₄" **75-2276-35**
42,0 cm, 16¹/₂" **75-2276-42**



28,0 cm, 11" **75-2277-28**
35,0 cm, 13³/₄" **75-2277-35**
42,0 cm, 16¹/₂" **75-2277-42**



Hämorrhoiden-Ligator mit Ladekonus
Haemorrhoidal ligator with loading attachment
Ligador para hemorroides con cono de carga
Legatori emorroidali con carica a cono

RUDD
75-2280-00



Hämorrhoiden-Ligator mit Ladekonus
Haemorrhoidal ligator with loading attachment
Ligador para hemorroides con cono de carga
Legatori emorroidali con carica a cono

MC GIVNEY
75-2281-00

Hämorrhoiden-Faßzangen, Fistelsonden
Haemorrhoidal Forceps, Fistula probes
Pinza-clamps para hemorroides, Sondas para fistula
Pinze per emorroidi. Sonde per fistola



MC GIVNEY
19,0 cm, 7½"
75-2282-19



MC GIVNEY
19,0 cm, 7½"
75-2283-19



PRATT
21,0 cm, 8¼"



75-2284-01



75-2284-02



75-2284-03